

INTEWA



BELGAQUA



RAINMASTER Favorit

Installation and user manual

WATER, WE' RE IN OUR ELEMENT

Table of contents

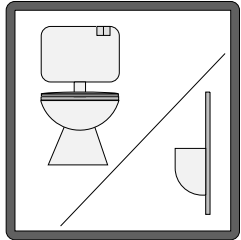
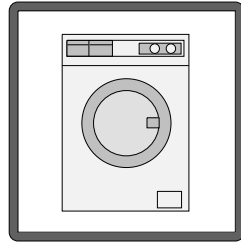
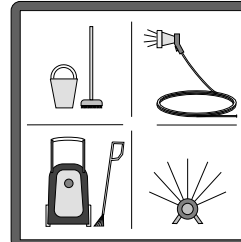
1. Introduction and scope of application	2
1.1 Modes of operation.....	3
2. Safety instructions	4
3. Scope of delivery	5
4. Technical Data	6
4.1 Device overview and dimensions	7
4.2. Dimensions of the intake line	8
4.3 Standards, Directives, tests.....	9
4.3.1 Secure separation Categorie 5 according EN 1717	9
4.3.2 EU - Konformitätserklärung.....	10
5. Overview of components	11
5.1 Components of the pump-controller.....	11
5.2 Components of the basic controller	12
5.3 Components of the multistage pump.....	15
5.4 Components of the supplemental supply container	16
5.5 Components of the electronic 3/2-way ball valve.....	16
6. Installation instructions	17
6.1 Wall mounting	17
6.2 Connection to the mains water line.....	18
6.3 Installation on the intake side	19
6.3.1 Installation of a protective conduit pipe.....	19
6.3.2 Layout of the intake line.....	20
6.3.3 Intake line connection	21
6.3.4 Installation of the floating intake.....	21
6.4 Installation of the pressure line set.....	22
6.5 Connecting the emergency overflow	22
6.6 Installation and adjustment of the float switch.....	23
7. Start up and use	24
7.1 Start-up in mains water mode.....	24
7.2 Start-up in rainwater mode	26
7.3 Modes of operation and display	27
7.3.1 Automatic mode (Switching position I).....	28
7.3.2 Maintenance mode (Switch position II).....	28
8. Trouble shooting in case of problems	29
9. Maintenance	30
10. Spare parts	30
11. Optional Accessories	30
12. Guarantee	31
13. Contact / Unit serial number	31

1. Introduction and scope of application

Congratulations on purchasing your RAINMASTER Favorit (*RM Favorit*).

The *RM Favorit* is specially designed for rainwater and greywater harvesting in large single family dwellings, multiple family dwellings and in commercial and industrial applications. The maximum installation height for toilets, washing machines and other applications, above the *RM Favorit*, is 15 m.

The RM Favorit is compatible with the following combinations:

<p>Toilet / Urinal: You can connect several toilets and urinals.</p>	
<p>Washing machine: You can connect several washing machines.</p>	
<p>Garden / Cleaning: You can connect all types of garden hoses and sprinklers as well as cleaning devices, in line with the maximum pump flow rate of RM Favorit 20 or RM Favorit 40 units.</p> <p><u>Note:</u> A drip irrigation system may require a special layout in combination with an expansion vessel.</p>	

Note:

The sizing of the system, with respect to the required maximum volume flow, is governed in Germany by regulation DIN 1988-3.

1.1 Modes of operation

Automatic mode

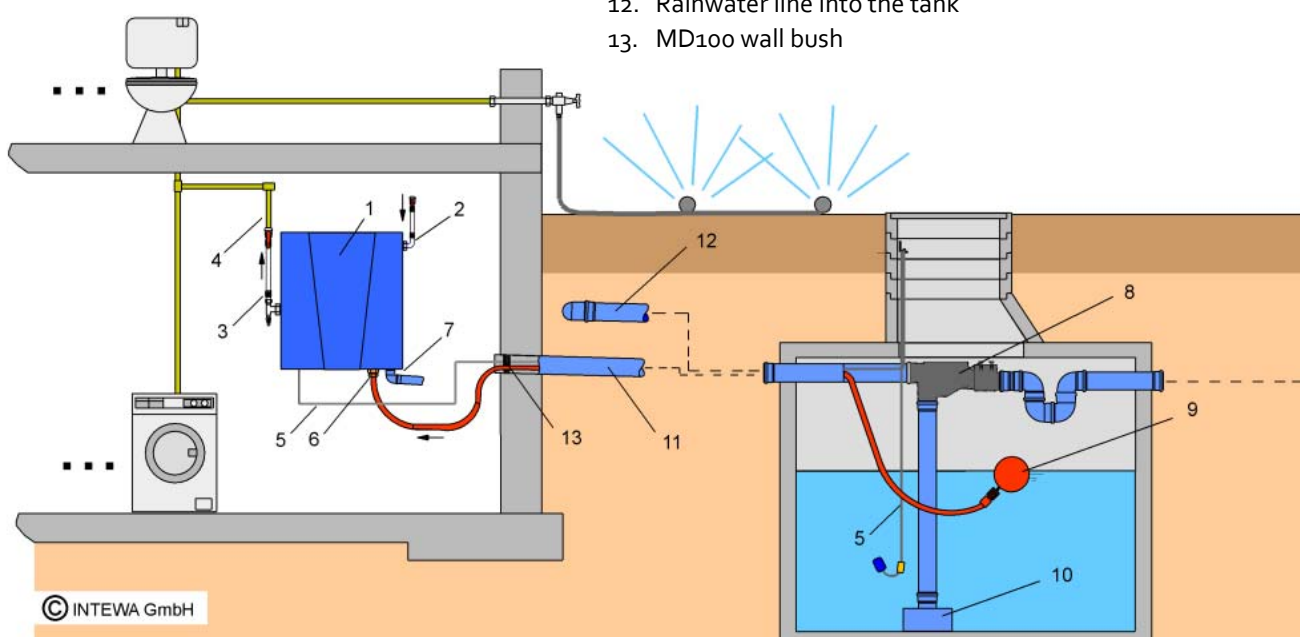
In Automatic mode, the pump carries rainwater from the tank into the home and onto respective applications (e.g. toilets etc.). If the tank is empty, this is detected by the float switch in the tank, which instructs the electronic 3/2-way ball valve to change to the mains water mode. The rainwater intake line is then blocked and the required mains water is sourced from the built-in supplemental supply container inside the *RM Favorit*. After it rains, and the tank is topped-up with rainwater again, the float switch detects this and the electronic 3/2-way ball valve switches back to the rainwater intake setting.

Maintenance mode

In Maintenance mode, the electronic ball valve stays permanently switched to mains water mode, and the house is continuously supplied with mains water from the supplemental supply container inside the *RM Favorit*.

In both working modes, the pump is switched on and off by means of the built-in pressure switch. The anti-dry running protection of the pump, and the stagnation protection of the supplemental water supply (the regular refreshing of water in the supplemental supply) are automatically controlled by the unit's built-in pump-controller.

1. Rainwater module RAINMASTER Favorit
2. Mains water connection
3. Pressure line set with air vent and stopcock
4. Pressure line to house
5. Float switch cable
6. Suction line
7. Emergency overflow
8. PURAIN rainwater filter
9. Floating intake filter model SAUGSAGF
10. Quiet inflow
11. Protective conduit pipe for suction line and sensor cable
12. Rainwater line into the tank
13. MD100 wall bush



© INTEWA GmbH

2. Safety instructions



The live components have to be installed only by a qualified electrician. In case of failure of the electronic device, the product has to be repaired by a qualified electrician before being operated again. There is a risk of electric shock!

The outlet circuit used for the device has to be secured through a circuit breaker protected (16 A in several countries). If unavailable, an FI switch with maximum operating current of 30 mA has to be connected.



These installation and operating guidelines have to be read carefully before installing the product. The instructions mentioned have to be followed strictly. Modifications to the product are not permitted, otherwise the warranty becomes void.

- The following points have to be strictly observed during the installation and operation:
- Check the product before installation for any visible defects. If defects are present, then the product must not be installed. Damaged products can be dangerous.
- Installations at the drink water pipeline system have to be only performed by a qualified installation firm.
- A floor drain has to be provided near the installation site, which can collect inadvertent water discharge (such as with pump defect, pipe breakage etc.) and prevent water damage inside the building.
- The brickwork behind the water-carrying system must be protected from water (such as with water-resistant paint).
- Make sure that the existing emergency overflows are connected and adequately sized.
- Remove the mains plug if you will be away for more than 24 hours. Lock the fresh water line at the inlet of the device if you will be away for more than 24 hours
- All products must be regularly inspected to maintain proper condition. The minimum inspection interval is mentioned in the maintenance manual.
- Electric devices may be hazardous for children. Therefore children always have to be kept away from the product. Do not let children play with the product.
- Do not install the water-carrying products in locations where the temperature may drop below 0°C.
- Do not install any electric products in flood-prone areas.
- The operator is responsible for adherence of the safety and installation guidelines.

3. Scope of delivery

RAINMASTER Favorit unit



Wall mounting material,
installation and user manual



Standard accessory A
(Mains water connection):



Standard accessory B
(Pressure line set):

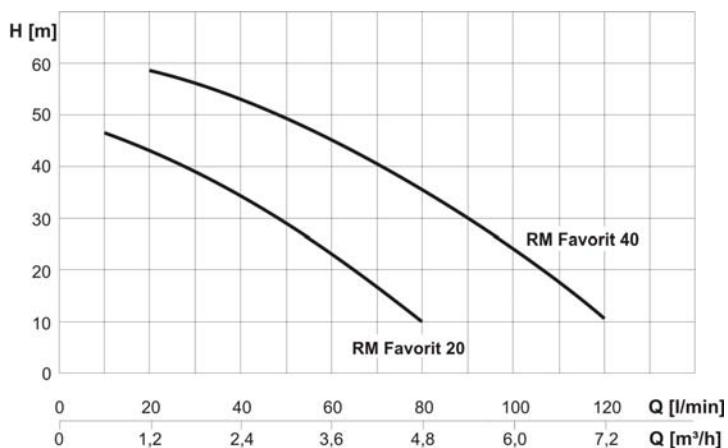


Standard accessory C
(Float switch set):

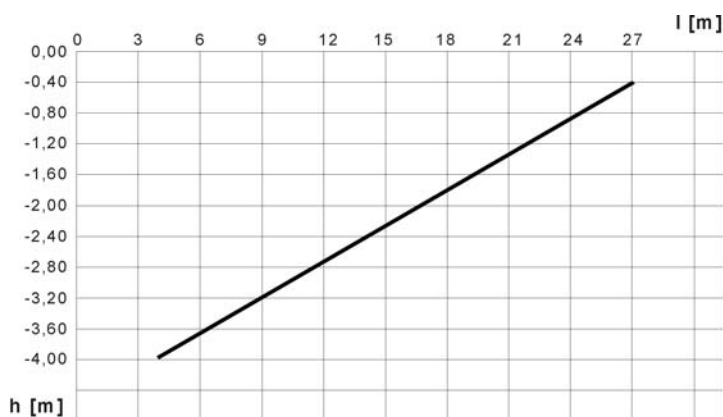


4. Technical Data

	RM Favorit 20	RM Favorit 40
Dimensions (H x W x D)	595 x 550 x 265 mm	595 x 550 x 265 mm
Weight:	32 kg	33 kg
Power supply input:	230 V AC / 50 Hz	230 V AC / 50 Hz
Power rating:	0,8 kW	1,35 kW
Power intake:	3,7 A	6,2 A
Motor capacitor:	12,5 µF	20 µF
Max. operating pressure:	5,0 bar	6,5 bar
Max. volume flow rate:	90 l/min	130 l/min
Noise level:	ca. 60 dBa	ca. 65 dBa
Intake height (self-priming):	see intake diagram	see intake diagram
Pump start-up pressure:	1,0 – 2,2 bar (adjustable), factory setting: 1,5 bar	1,0 – 2,2 bar (adjustable), factory setting: 1,5 bar
Charging pump connection	max. 0,8 kW	max. 0,35 kW
Protection class:	IP 54	IP 54
Max. mains water pressure:	2,5 - 6 bar	2,5 - 6 bar
Highest consumer above RM Favorit:	15 m	15 m
Float switch:		
Cable length x Cross section:	15 m x Ø9 mm, (3 x 1,0mm ²)	15 m x Ø9 mm, (3 x 1,0mm ²)
Protection class:	IP68	IP68



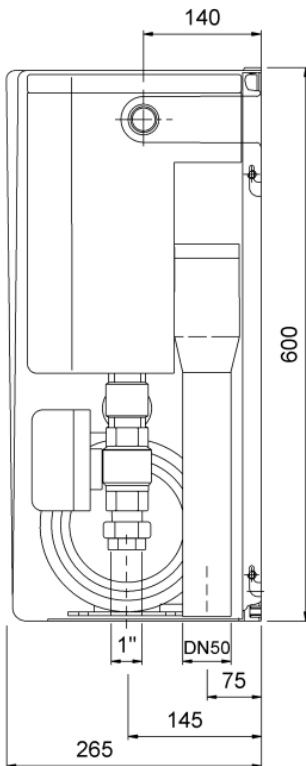
Performance curve of the pump



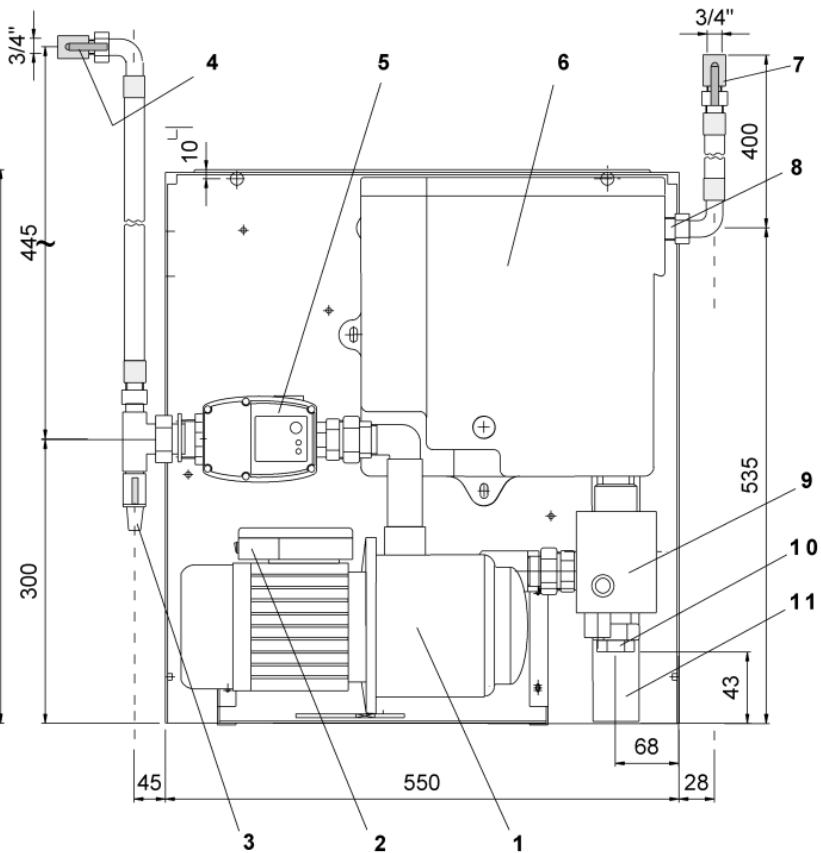
Performance curve of the intake

4.1 Device overview and dimensions

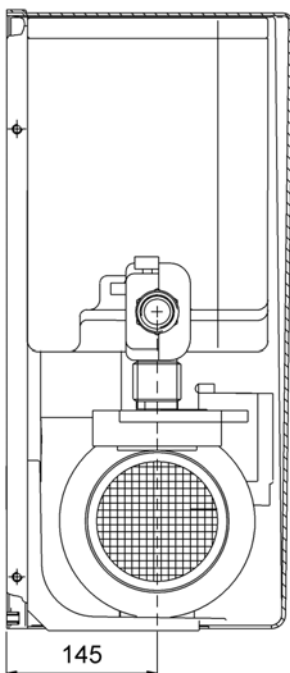
View from right



Front view



View from left

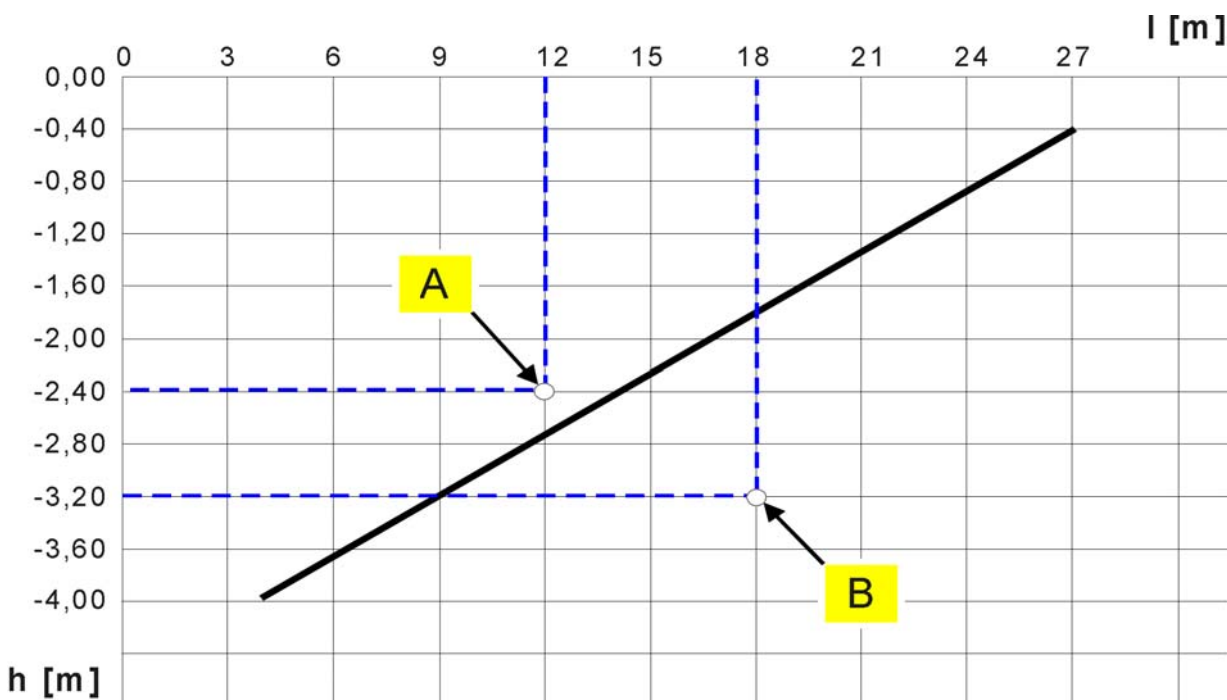


1. Multistage RM Favorit 20 / 40 centrifugal pump
2. Pump terminal box with basic controller
3. Vent cock
4. Pressure shut-off valve (3/4" female)
5. Pump-controller
6. Supplemental supply container
7. Stopcock for mains water (3/4" female)
8. Mains water floating valve
9. Electronic 3/2-way ball valve
10. Intake line (1" female)
11. Emergency overflow line (DN 50/Ø55mm)

4.2. Dimensions of the intake line

In practice, the self-priming function of the pump depends due to decrease in pressure (pipe friction, suction level) only in a certain range. In this operating range, the pump can evacuate the air out of the suction line (for example, with initial start-up operation). The performance curve of the intake line indicates the dependence of intake length on the intake level. The determined value is above the represented intake line in the diagram. If the intake point is below the intake performance line, then a charging pump (optional accessory RMF-LP) is used to ensure the intake process proceeds reliably and with sufficient safety.

Note: The charging pump boosts the water intake pressure, so that an intake level of up to 3 m high can be attained. This means that, the performance curve moves 3 m parallel towards down.



Sample dimensions:

Example A:

Length of suction pipe: = 12 m

Intake level: = 2.40 m (Height difference between deepest intake level and pump)

→ o.k. because it's above the performance curve

Example B:

Length of suction pipe: = 18 m

Intake level: = 3.20 m (Height difference between deepest intake level and pump)

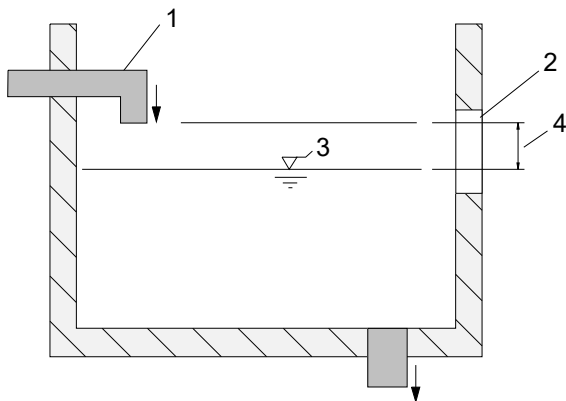
→ not o.k. because it's below the performance curve

→ RMF-LP (Article No: 22 00 76) charging pump is required, in order to boost intake pressure to meet the requirements)

4.3 Standards, Directives, tests





4.3.1 Secure separation Categoric 5 according EN 1717

The *RM Favorit* meets the DIN 1989-4 "Components for Control and Supplemental Supply" standards for rainwater harvesting systems.. The DVGW mark of approval confirms the presence of the mandatory „air gap“ (as per DIN EN1717) for secure separation of processed water from the mains water line, which is integrated into the RM Favorit.



1. Mains water inlet (floating valve)
2. Emergency overflow
3. Max. water level (in case of malfunction)
4. Air gap = secure separation of mains water and processed water

Mains water supplemental supply device, Type AB as per DIN EN 1717

<p>Mains water supplemental supply device certifications according to EN 1717 und DIN EN 1717 Safety category 5</p>	  
<p>Mains water supplemental valve certification:</p>	

4.3.2 EU - Konformitätserklärung

Diese EU-Konformitätserklärung wurde in alleiniger Verantwortung von INTEWA GMBH ausgestellt.

This declaration of conformity is issued under the sole responsibility of INTEWA GmbH.

Dokument-Nr.: 03/10/2021

Document-No.:

Hersteller: INTEWA GmbH

Manufacturer:

Anschrift:

Address:

Auf der Hüls 182

D – 52068 Aachen

Produktbezeichnung: Pumpenstation

Product designation:

pump station

Typenbezeichnung:

Type:

RM-Fxx, SMT-Fxx

Der oben beschriebene Gegenstand der Erklärung erfüllt die einschlägigen Harmonisierungsrechtsvorschriften der Union:

The object of the declaration described above is in conformity with the relevant Union harmonization legislation:

2006/42/EU: Maschinenrichtlinie

2006/42/EU: Directive Machinery

2014/30/EU: EMV Richtlinie

2014/30/EU: Directive relating to electromagnetic compatibility

2011/65/EU: RoHS-Richtlinie II

2011/65/EU: RoHS Directive II

2015/863/EU RoHS-Richtlinie III

2015/863/EU RoHS-Richtlinie III

Angewandte harmonisierte Europäische Norm:

Applied harmonised European Standard:

EN60335-1:2012/A11:2014:2014/A13:2010/A15:2011, ENISO 12100:2010

EN 61000-6-3:2007/A1:2011, EN 61000-6-1: 2007, EN 61000-6-4: 2007/A1:2011

EN 61000-6-2: 2005, EN55014-1:2006/A2:2011

EN50581:2012

Weitere normative Dokumente

Other normative documents

EN 60335-2-41:2003/A2:2010

Ort, Datum: Aachen, 12.10.2021

Place, Date:

Rechtsverbindliche Unterschrift:

Legal signature:



Geschäftsführer Oliver Ringelstein
Manager

5. Overview of components

The *RM Favorit* has a modular design. Each component can be separately changed.

5.1 Components of the pump-controller

The pump-controller (see Chapter 4.1) monitors the pressure and volume flow rate in the pressure line system. The direction of flow is marked by an arrow on the housing.

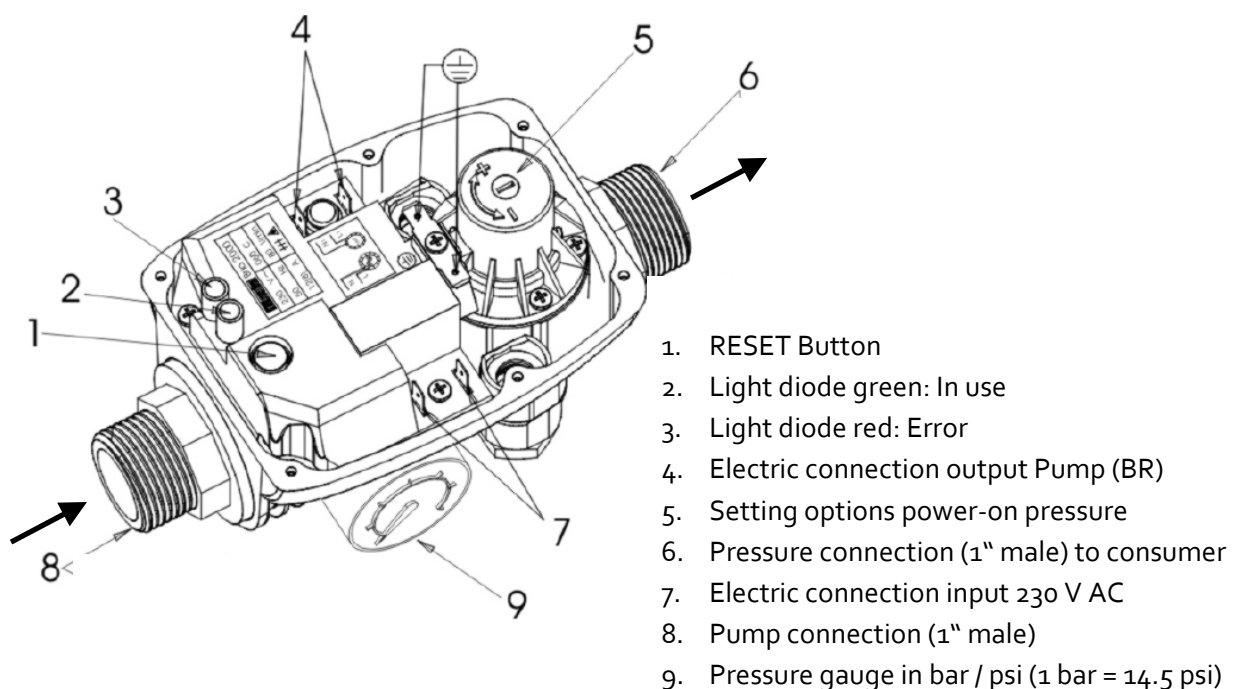
The **green LED (3)** indicates ready to use. The **red LED (2)** indicates an error. That means the pump controller registers air in the system and when this happens the red LED flashes. If this state continues for more than 12 seconds, the pump undergoes an EMERGENCY STOP. The red LED then remains continuously lit.

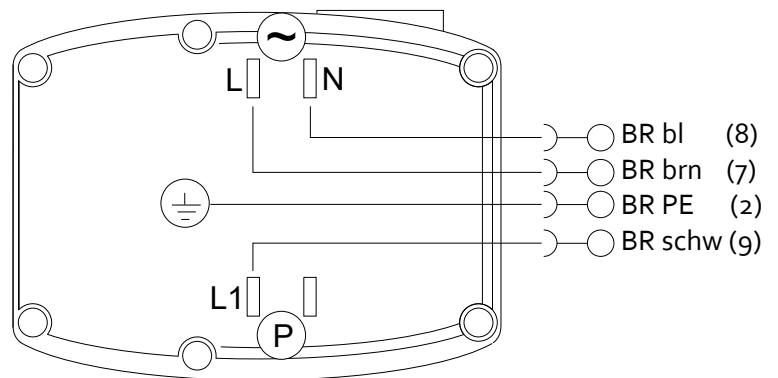
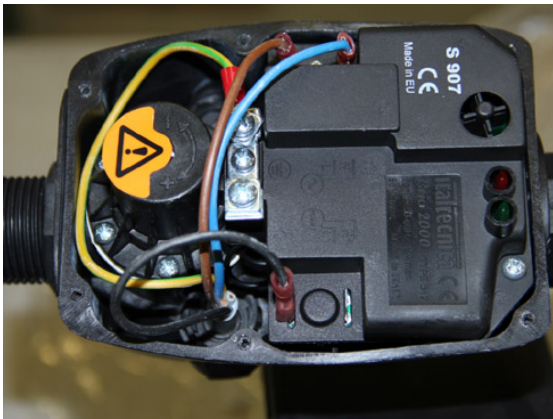
After an EMERGENCY STOP, the pump is restarted by pressing the **RESET button (1)** (or alternatively, by disconnecting the plug from the electrical supply).

The pump-on pressure can be set using the **adjustment screw (5)**. This adjustment is required only in special cases. It is recommended that only experienced professionals use the pressure setting option. The pump-on pressure is set to 1.5 bar by default. That means the pump switches on when the system pressure falls below 1.5 bar. (Anti-clockwise rotation decreases the power-on pressure. Clockwise rotation increases the power-on pressure.) The pump-on pressure can be controlled whereby the water pressure is released very slowly. (The only way to know the exact pump-on pressure is by the pressure indicator, which will indicate the slowly dropping pressure.)

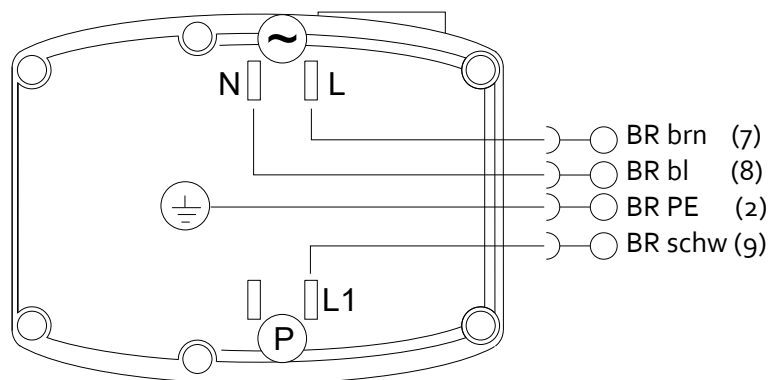
Note:

The adjustment screw (5) should not exceed the limit of maximum pump pressure! If it is too high for use, then a separate pressure limiter must be added on the pressure side. In special cases of constant pressure use, the *RM Favorit-SC* is suitable. Here you can electronically set the maximum allowable pressure.





Verbindung Pumpensteuerung / Basissteuerung im Klemmkasten (Baujahr bis 04.2021).



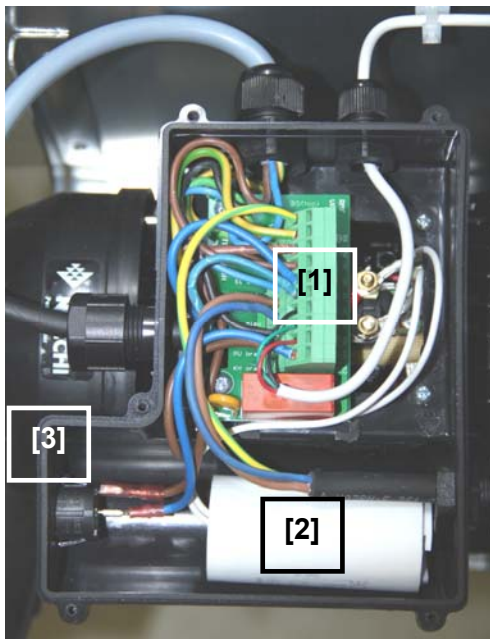
Verbindung Pumpensteuerung / Basissteuerung im Klemmkasten (Baujahr ab 04.2021).

5.2 Components of the basic controller

The unit's basic controller (position [1]) is located in the terminal box and here all the electronic components of the *RM Favorit* are connected, along with the motor condenser (position [2]) required for starting the motor. On the left side of the terminal box is the mode selection switch (position [3]) for automatic and maintenance mode. (See chapter 7.3 for functional description)

Note:

During the installation of the RM FAVORIT the float switch must be disconnected from the board, if the cable should be passed through a wall bush.



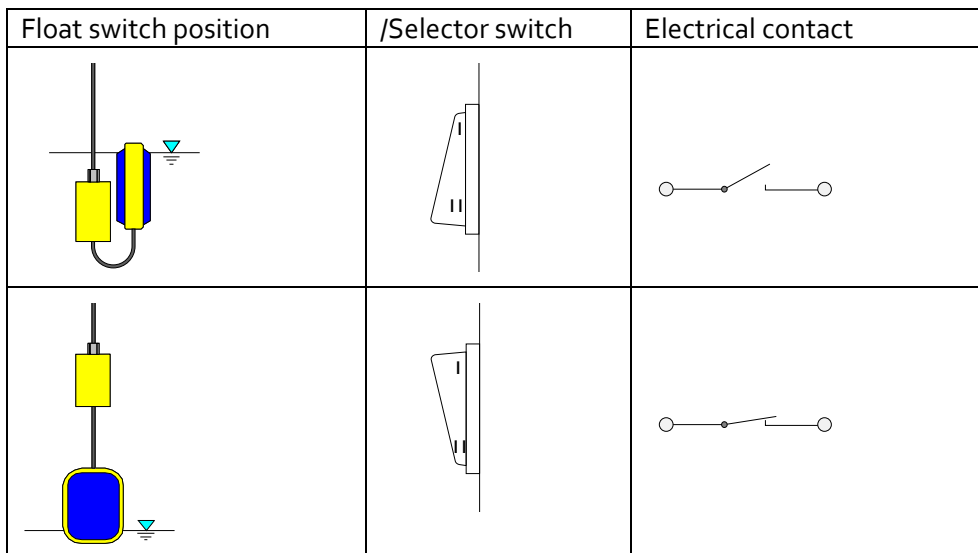
Floating switch
 SS (12): green/yellow
 SS brn (16): brown
 SS bl (17): blue

Wiring of the pump terminal

item	Board inscription	Description of connection
1	KH PE	Protective conductor ball valve
2	BR PE	Protective conductor pump controller
3	NE PE	Protective conductor mains connection
4	NE bl	N- Mains connection 230V~, blue
5	S1 brn	Selection Switch brown
6	S1 bl	Selection Switch blue
7	BR brn	L1-Pump controller brown
8	BR bl	N-Pump controller blue
9	BR schw	Pump controller black
10	PU bl	N-Pump blue
11	PU brn	L1-Pump brown

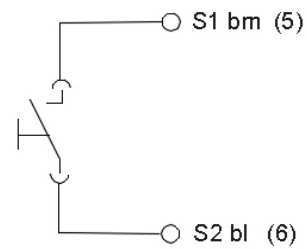
item	Board inscription	Description of connection
12	SS PE	Protective conductor floating switch
13	PU PE	Protective conductor pump
14	LP PE	Protective conductor charge pump
15	NE br	L1-Mains connection 230 V~, brown
16	SS brn	Floating switch brown
17	SS bl	Floating switch blue
18	KH schw	N-Ball valve black
19	KH grün	L1-Ball valve green
20	KH rt	L1-Ball valve red
21	LP bl	N-Charge pump blue
22	LP brn	L1-Charge pump brown

Overview of the cable connections



Scheme: Electrical switching status of float switch and selector switch

The mode selection switch is wired with a flat pin plug.



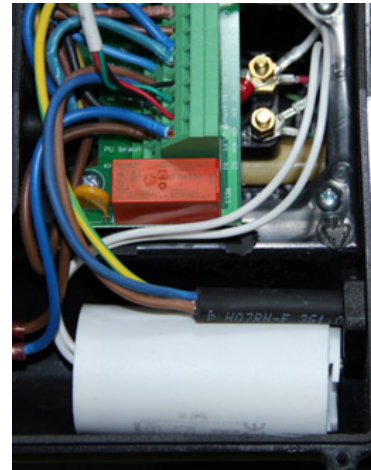
Loosen the screws to change the condenser and take off the cable-end eyelet ring.

Attention:

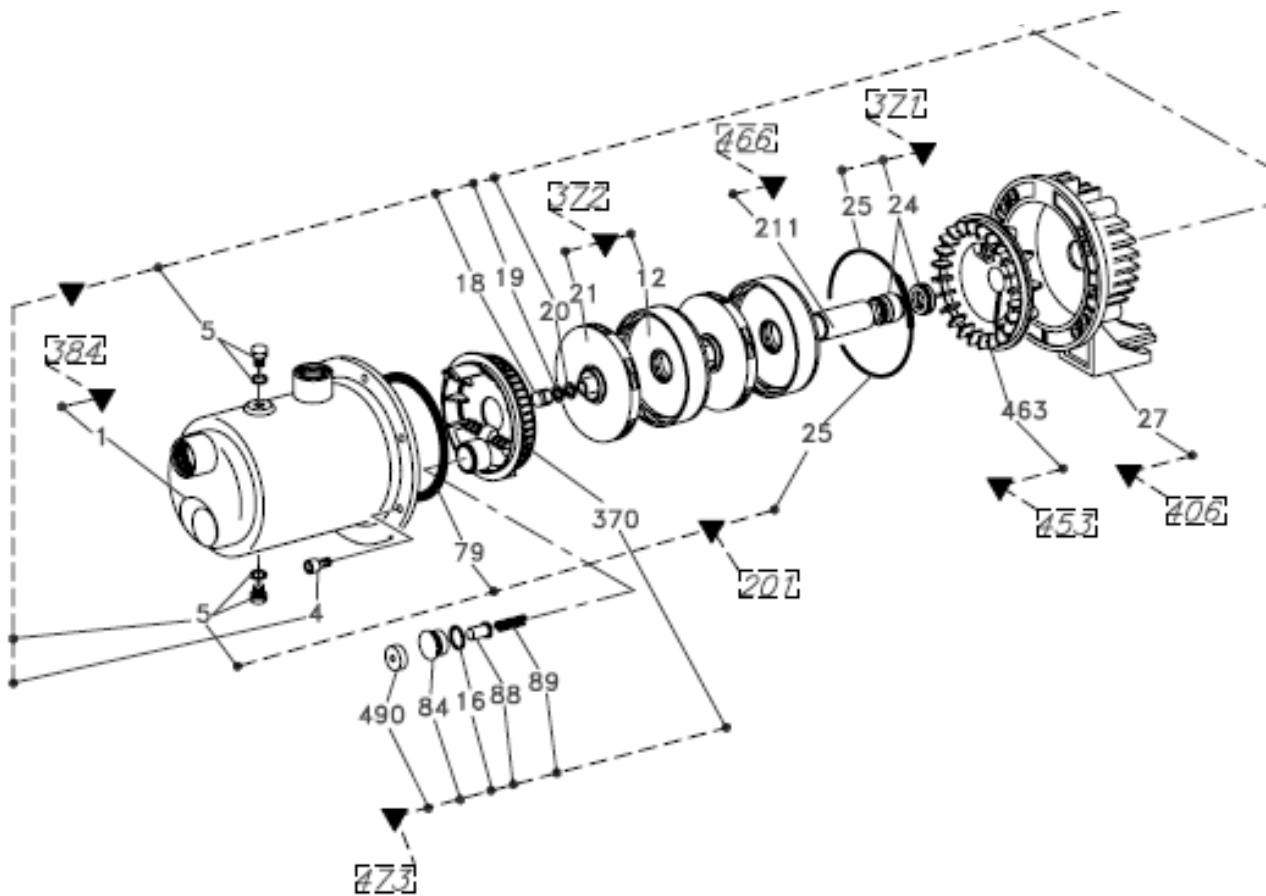
Do not let the nuts fall down into the inner coil of the motor!

Note:

When connecting a new condenser the polarity is not important.



5.3 Components of the multistage pump



Expanded view of RM Favorit 20/40 centrifugal pump

KIT REF.	Nr. KIT DESCRIPTION	REF.Nr.	COMPONENT DESCRIPTION	RM F 20 RM F 20-A SMT F 20	RM F-SC 20 SMT F 20	RM F 40 RMF 40-A SMT F 40	RM F-SC 40 SMT F 40
371	MECHANICAL SEAL KIT	25	O-RING (PUMP BODY ~)	ZBR25620			1 pcs.
		24	SEAL (COMPLETE MECHANICAL ~)				1 pcs.
372	HYDRAULIC KIT	21	IMPELLER	ZBR45880	1 pcs.	ZBR45890	1 pcs.
		12	DIFFUSER (WELDED ~)		1 pcs.		1 pcs.
380	CAPACITOR KIT	47	CAPACITOR	ZBR 1	--	ZBR 1	--
473	SELF-PRIMING SUCTION FLANGE KIT	16	16 O-RING (NOZZLE ~) 1 pc				1 pcs.
		84	84 PLUG (FRONT ~) 1 pc				1 pcs.
		88	88 SHUTTER 1 pc	ZBR28140			1 pcs.
		490	490 RUBBER SPACER 1 pc				1 pcs.
		89	89 SPRING (SHUTTER ~) 1 pc				1 pcs.
		370	370 SELF-PRIMING SUCTION FLANGE				1 pcs.

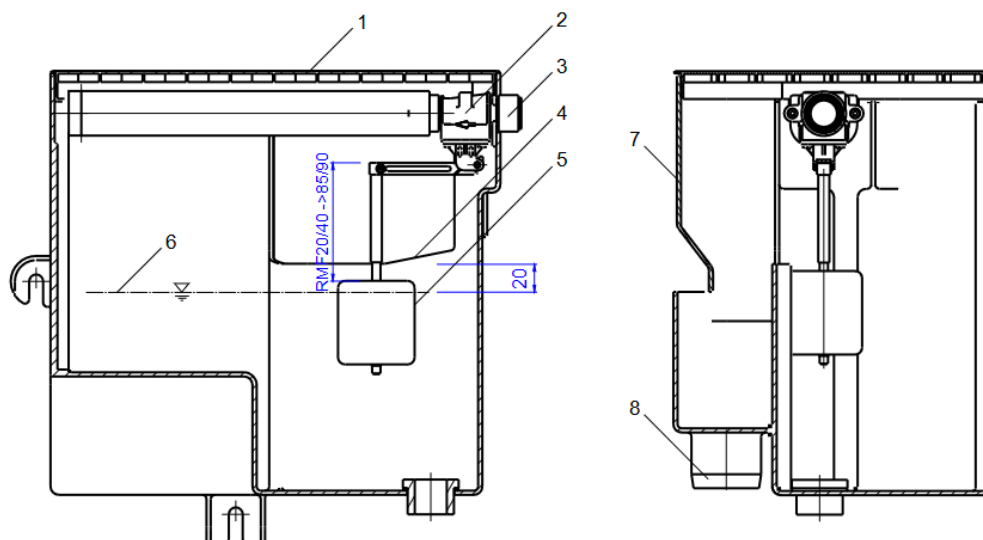
List of spare parts for RM Favorit and RM Favorit-SC

5.4 Components of the supplemental supply container

The floating valve keeps the water level constant in the supplemental supply container. The maximum water level should be approx. 2-3 cm below the overflow rim when the floating valves closed (backside of the container).

The correct distance of the float (5) to the horizontal lever is factory set at 85 mm by the RMF20 valve and 90 mm by the RMF40 valve.

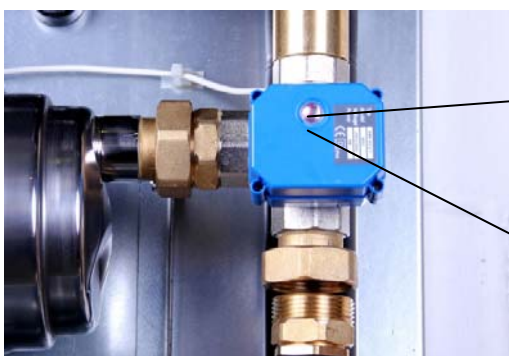
Note: If an overflow occurs due to continuous dripping from the valve, the valve must be decalcified (see Maintenance). In the connection of the float valve there is a protective sieve (3) which can be pulled out for cleaning. A strainer is also located in the inlet pipe.



- | | |
|----------------------------------|------------------------|
| 1. Supplemental supply container | 5. Lifting body |
| 2. Floating valve | 6. Maximum water level |
| 3. Protective sieve | 7. Splash protection |
| 4. Emergency overflow rim | 8. Emergency overflow |

5.5 Components of the electronic 3/2-way ball valve

The motorised ball valve selects between rainwater intake and mains water intake. The built-in display shows which mode is currently selected.



Mains water mode:
(Pumps mains water from the supplemental supply container)

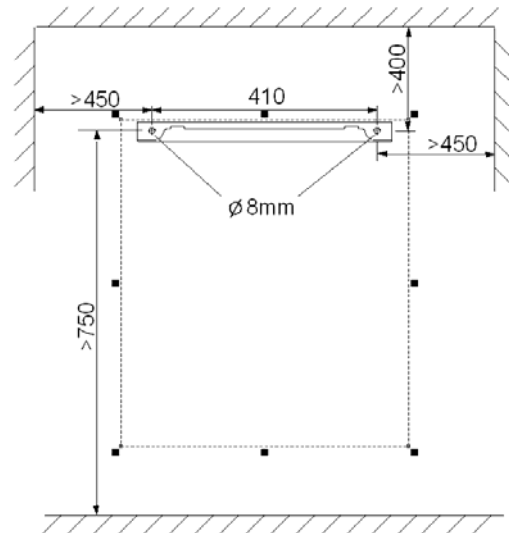


Rainwater mode:
(Pumps rain water from the rainwater tank)

6. Installation instructions

6.1 Wall mounting

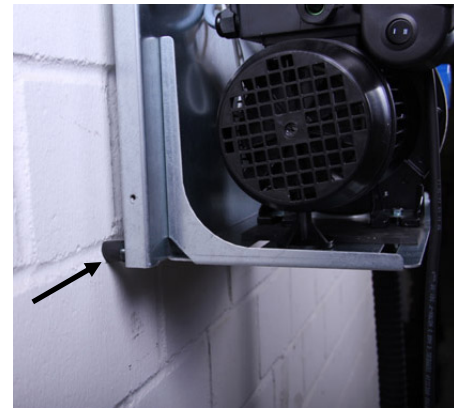
The RM Favorit is mounted on a wall with the supplied wall bracket. The lid and lateral distances indicated should be adhered to when mounting, to provide clear maintenance access.



The RM Favorit is wall mounted in such a way, that the groove in the top back panel of the unit hangs off the affixed wall bracket.



The provided rubber clamping device is to be fit on the back side of the unit in the lower corners.
The unevenness of the wall can be balanced by various screwing depths.



6.2 Connection to the mains water line

The connection to the mains water supply is done with the provided flexible hose and stopcock.

Screw the gland screw into the container connection and carefully tighten with a fixed spanner.

Note:

The flexible hose must not be overtightened as this may interfere with the internal float valve, on the opposite side of the connection. All provided flexible hoses have gland screws with flat washers. The rubber washers must be present. Additional sealing material must not be used on gland nuts!

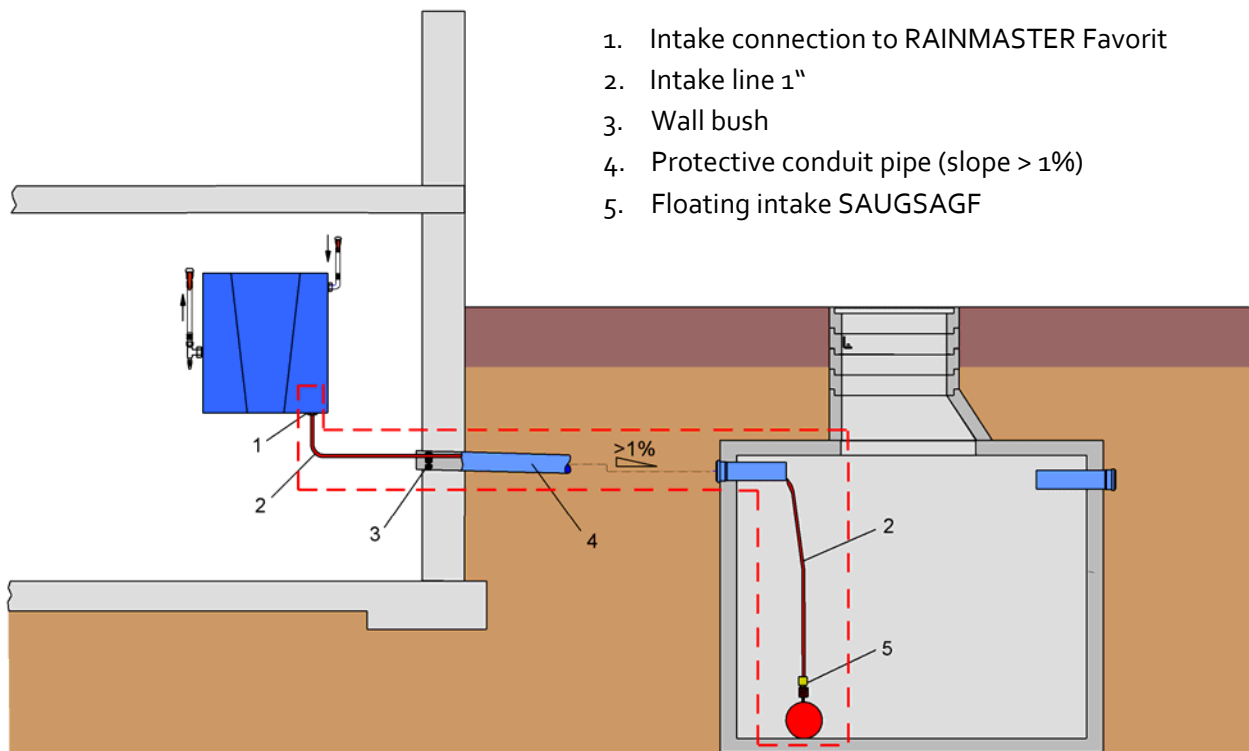


Screw the gland screw on the other end of the flexible pipe into the stopcock (not scope of the delivery) mounted on the mains water line.



6.3 Installation on the intake side

The installation of the intake requires special attention, since only correct mounting and sealing ensures trouble-free operation of the system. For fault-free functioning, ensure the guidelines concerning intake height and intake length are followed carefully (see Chapter 4.2.).



6.3.1 Installation of a protective conduit pipe

The intake line must be installed in a (DN100) protective conduit pipe in order to ensure all intake lines and pipes are protected from damage and can be accessed freely at any time. In order to avoid water accumulating in the conduit, it must be installed with > 1 % slope back towards the tank.

In general, all lines carried in the protective pipe should pass through a wall bush (for example INTEWA MD100 Article number: 61 00 50), at the house. Through this bush, the intake pipe and the float switch cable are routed and sealed by a pressed rubber plate. This prevents water from outside entering the basement/garage/utility room. The wall bush must be mounted as per instructions so that the intake line is never squeezed or kinked.

6.3.2 Layout of the intake line

Only an internally reinforced flexible (vacuum resistant) hose can be used for the intake line. This allows for the use of a floating intake in the tank. The internal diameter of the intake line must be at least $\varnothing 26$ mm. The INTEWA intake hose (SDS 1", Art.-Nr. 61 00 25) is designed for this requirement.

In order to avoid potential leaks at connection points, it is strongly recommended that the intake hose (from the intake filter in the tank all the way to the RM Favorit unit) should be one piece – containing no joins.

Warning instructions:

The internal diameter of the intake hose must be at least $D=26$ mm in order to obtain full volume flow.



No water filter may be used in the intake line, since the gaskets are not designed for underpressure. In result air could enters the intake line.



PVC corrugated hoses are not suitable as rainwater suction lines. Experience has shown that after some time these become brittle and permeable to gas/air. The underpressure for intakes cannot be built up later and the air enters the intake line.



No flexible hoses can be used in the intake region since these soft, internal rubber coated hoses are constricted with underpressure.



The intake hose line must never bend, kink or be constricted in any way.



6.3.3 Intake line connection

The intake line is routed through the wall into the house, and connected to the RM Favorit.

The gland screw is to be tightened to the *RM Favorit* connector. As the intake hose should not exert any force on the coupling to the unit, the pipe should be securely fastened to the wall with separate pipe clamps.



6.3.4 Installation of the floating intake

For best water quality, we recommend the intake line in the tank is installed as a floating intake.

The accessory product SAUGSAGF 1" (Article No. 21 01 30) is designed for this requirement. The rainwater is drawn from just below the water surface where the water is the cleanest. The integrated non-return valve ensures that water is always present in the suction line. The intake sieve provides additional protection against debris clogging the pump.

If the intake accessory is installed on site, make sure that the intake has a non-return valve, as well as an intake filter. The intake is mounted in such a way, that with the tank being empty, the intake sits at a minimum distance of 20 cm from the bottom of the tank. In this way, the intake of base sediment is safely prevented.



6.4 Installation of the pressure line set

The pressure line set (see scope of delivery) establishes the connection between the pump and pressure line system.

The pressure line set is connected to the pump controller

The flexible hose and the shut-off valve then connect to the pressure line set and the pressure line.



6.5 Connecting the emergency overflow

The RM Favorit has an emergency overflow line (DN 50) which must be connected to the waste drainage system of the building. The drainage line must be of a size to accommodate a maximum volume flow rate of 90 l/min.



Note:

The position of the backwater level must be taken into consideration while connecting to a drainage system, in order to prevent backflow of drainage water from the open sewer line (design according to the DIN EN 1717) entering the *RM Favorit*.

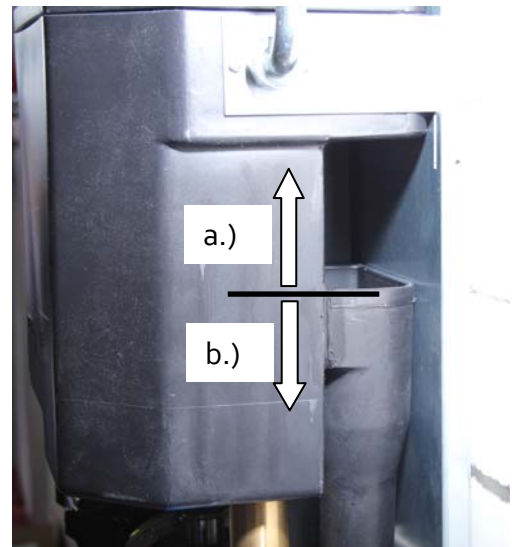
The position of the backwater level determines the type of line:

- a) Backwater level above the emergency overflow drainage height of the supplemental supply container:

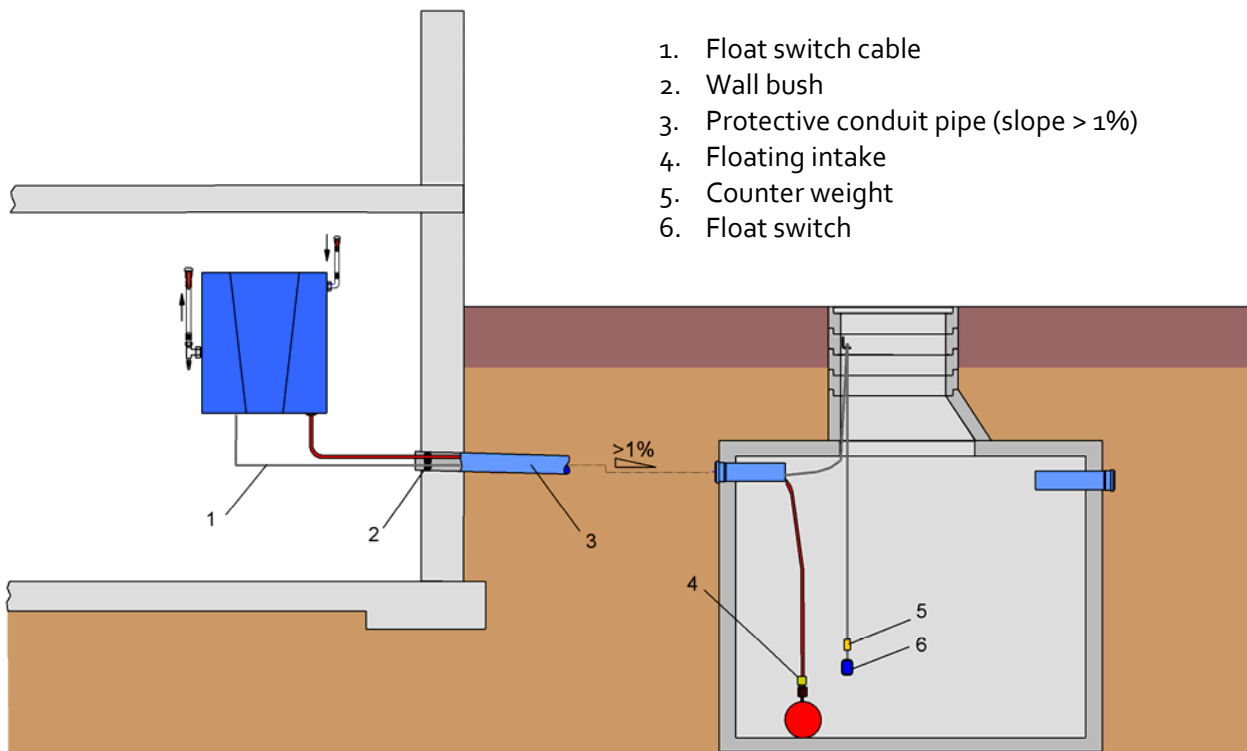
Connection of the emergency overflow must be done by a lifting system.

- b) Backwater level below the emergency overflow drainage height of the supplemental supply container:

Connection of the emergency overflow to a ventilated channel line (DN 50) is done via a siphon.



6.6 Installation and adjustment of the float switch



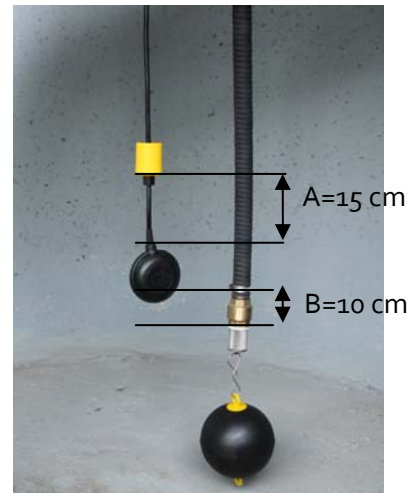
The float switch cable is housed in the same protective conduit as the intake line, for easy access and protection from damage. Therefore it is necessary to disconnect the cable from the pump terminal. Don't forget to fit the cable gland for the fixing point.

The fixing point for the float switch cable is installed in an accessible area of the tank opening so that it is possible to access (such as for inspection and maintenance purposes) even with a full tank level. The necessary height can be adjusted by means of the built-in cable gland.



The intake line is installed in such a way that the floating ball just touches the bottom of the empty tank (see Chapter 6.3.4).

The float switch counter weight (A) is mounted 15 cm above the float switch. The safety distance between the intake filter and the bottom of the float switch must be at least 10 cm (B), allowing the float switch enough cable length for free movement.



The float switch is electrically connected to the base controller (see Section 5.1).

Note:

The distance to all inner mounted parts in the cistern must be selected in such a way that the float switch can freely float.

7. Start up and use

7.1 Start-up in mains water mode

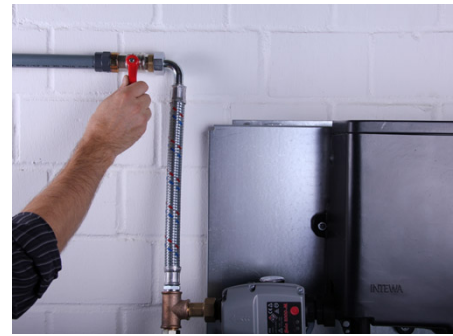
1. Check that all lines are connected. Select maintenance mode = **Switch position II**.
2. Open the mains water line stopcock so that the supplemental supply container is filled with water.

Note:

In maintenance mode the pump is primed with water automatically over the mains water tank. In this case the pump doesn't need to be filled up with water by hand.



3. Close the pressure shut-off valve.



4. Open the air vent (hold a bucket of water under the air vent) and start the pump by plugging in the mains power.
Let the water run from the air vent into the water bucket until there is no more sign of bubbles (a clear stream) meaning that all air has been removed from the suction line.

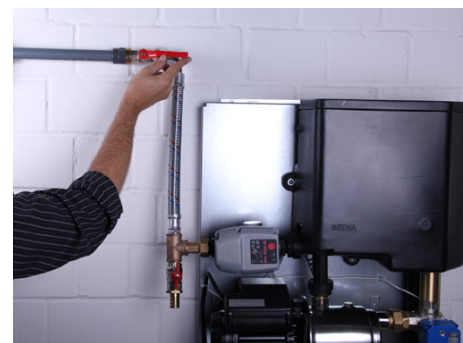


5. Close the air vent.



6. Open the pressure shut-off valve and release the air from the (house) line (e.g. by pressing the toilet flush several times or open the garden tap.).
7. Close all the consumers.

The pump will now automatically switch off when the maximum system pressure is reached. The unit is now ready to use.

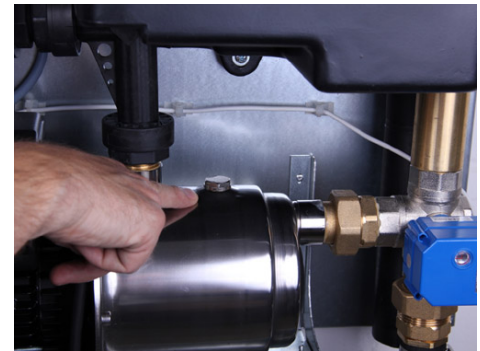


7.2 Start-up in rainwater mode

Note:

If the mains water start-up operation is not successful on the first attempt (for example, if mains water is not available), then the pump must be primed with approx. one liter of water before initial start-up. This is done via the filling screw at the top of the pump. Only now can the rainwater mode can be started!

It is not allowed to start the pump dry!



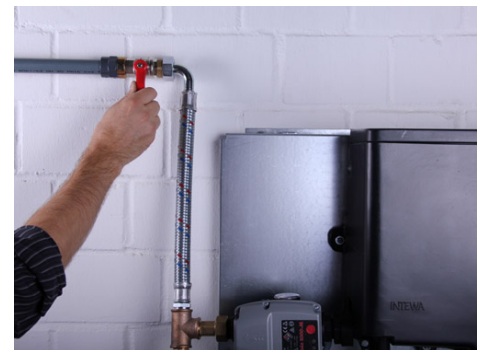
1. Select Automatic mode = **Switch position I**

Note:

The rainwater mode can be started only if there is sufficient water in the rainwater tank. This will be shown by the position of the 3/2-way ball valve.



2. Close the pressure shut-off valve.



3. Open the air vent (hold a bucket of water under the air vent) and start the pump by plugging in the mains power.

The motorised ball valve will move into the "rainwater" intake position.

Let the water run from the air vent into the water bucket until there is no more sign of bubbles (a clear stream), meaning that all the air has been removed from the suction line.



4. Close the air vent.



5. Open the pressure shut-off valve and release the air from the (house) line (e.g. by pressing the toilet flush several times or open the garden tap.).

6. Close all the consumers.

The pump will now automatically switch off when the maximum system pressure is reached.

The unit is now ready to use.



7.3 Modes of operation and display

The green LED on the pump controller indicates that the pump is ready to use. In case of a problem, the red LED will light up (see chapter 5.1)

The system pressure can be read on the pressure gauge of the pump controller.

The Automatic Mode or Maintenance Mode can be set via the mode selecting switch.

7.3.1 Automatic mode (Switching position I)

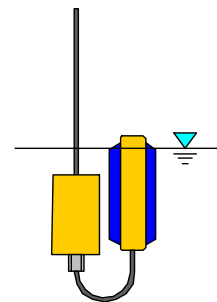
Automatic mode is the normal operating mode, and is selected by **Switch position I**.

In this mode, the unit automatically switches from rainwater to mains water if the float switch detects that the rainwater tank is empty.

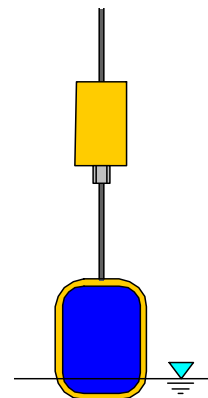
Two operating modes can be used according to the two positions of the float switch, both of which are indicated by the display of the motorized valve (see chapter 5.4).



- **Rainwater mode:**
Rainwater tank is full
(Float switch remains floating upright in the tank)



- **Mains water mode:**
Rainwater Tank is empty
(Float switch hangs vertically towards tank bottom)



7.3.2 Maintenance mode (Switch position II)

The maintenance mode is selected by **Switch position II**. This mode is selected only when maintenance is to be performed in the tank. The RM Favorit then operates in continuous mains water mode, independent of the float switch.



8. Trouble shooting in case of problems

Description of error	Cause	Solution
The pump is not starting and all LEDs are illuminated	<ul style="list-style-type: none"> a.) Air in intake line, as float switch has not registered an empty tank and did not switch to mains water mode b.) Air in intake line because of a leakage c.) Non return valve in intake line leaky d.) After restart the pump not start (there is only a humming noise which stop after 12 seconds) 	<ul style="list-style-type: none"> a.) Check the functioning and position of the float switch (see chapter 6.6), After this new start up (see chapter 7) b.) Seal connection points and the intake line. After this new start up (see chapter 7) c.) Change non-return valve d.) Change capacitor
Pump clocking	<ul style="list-style-type: none"> a.) non-sealed leaky consumers b.) minimal water flow (< 1 l/min) 	<ul style="list-style-type: none"> a.) Remove leakage b.) Check consumers
In rainwater mode, the flow rate is too low or pump does not feed any water	<ul style="list-style-type: none"> a.) The intake filter is clogged b.) The intake hose is bent c.) The suction line or the lines are not sealed d.) no switchover to mains water since float switch is incorrectly positioned or is defective 	<ul style="list-style-type: none"> a) clean intake filter b.) check intake line c.) check intake line and connections d.) check the functioning and position of the float switch (see chapter 6.3.4), then restart
In mains water mode, the flow rate is too low or the pump does not feed any water	<ul style="list-style-type: none"> a) Not enough or no water in the units supplemental supply tank b.) 	<ul style="list-style-type: none"> a.) check primary pressure of mains water, clean filter sieve in the entry of supplemental supply valve (see chapter 5.3) b.) Change 3/2-way ball valve
System does not automatically switch from rainwater to mains water and vice versa.	<ul style="list-style-type: none"> a.) Float switch is not correctly positioned b.) Float switch is defective c.) 3/2-way ball valve does not switch over in spite of the float switch signal 	<ul style="list-style-type: none"> a.) Check the functioning and position of the float switch (see Chapter 6.3.4), then restart or change float switch b.) Change float switch c.) Change 3/2-way ball valve
Pumping pressure reaches only half the maximum pressure	Defective air separator or diffuser / impeller	Replace air separator or diffuser / impeller

9. Maintenance

Every 3 months a visual and operations test must be completed.
However, every six months the intake filter should be cleaned in the rainwater tank.

If the mains water valve continuously drips, then this must be decalcified. Therefore, remove the entire valve from the tank and place it in a decalcifying solution (citric acid) so that the inlet and outlet are fully submerged. Move the floating arm several times so that the decalcifying solution penetrates the valve diaphragm chamber as well (24 hours exposure time). If the dripping continues after maintenance, then the valve must be replaced.

10. Spare parts

Description	Figure no. (see chapter 4.1)	Order name
Multistage rotary pump for RMF 20	[1]	RMF-P20
Multistage rotary pump for RMF 40	[1]	RMF-P40
Basic-controller	[2]	RMF-BPL
Pump-controller Brio	[5]	RMF-PST BRIO
Supplemental supply container	[6]	RMF-B
Floating valve for supplemental supply container	[8]	RMF-NSP
3/2-way ball valve	[9]	RMF-KH
Float switch, 15m		RMF-SCHW15
Spare parts for centrifugal pump		see chapter 5.2

11. Optional Accessories

RMD-24, Art.-No. 22 00 92

The RAINMASTER D 24 is a fill level unit for water tanks up to 3 m water depth. It can be installed everywhere in the house and is a perfect complement for the RAINMASTER Favorit rainwater unit.



RMF-LP, Art.-No. 22 00 76

Charging pump for boosting the water intake line pressure from higher intake depths or longer intake lengths.
The electric connection is effected by the basis control of the RM Favorit.



12. Guarantee

INTEWA GmbH guarantees this unit for 24 months from the date of purchase. Kindly keep the sales receipt as proof of purchase.

Within the guarantee period, INTEWA GmbH reserves the right to either repair or replace faulty parts at its own discretion.

The warranty does not cover any damage due to improper use, wear and tear, or intervention by third parties. The warranty does not cover any defects which may only minutely affect the value or usability of the device.

13. Contact / Unit serial number

For customers in Germany:

For any queries, ordering of spare parts, as well as in case of service, kindly contact INTEWA GmbH directly, quoting your product's model and identification numbers and the purchase invoice details, at:

INTEWA GmbH
Auf der HÜls 182
52068 Aachen

Tel.: 0049-241-96605-0
Fax: 0049-241-96605-10
Email: info@intewa.de
Internet: www.intewa.de

For customers in other countries:

For any queries, ordering of spare parts, as well as in case of service, kindly contact your installer or the authorised importer, quoting your product's model and identification numbers, and the purchase invoice details.

Your RAINMASTER Favorit identification number is displayed on the right hand top side of the mains water tank. The unit housing must be removed to see this.

ENJOY YOUR RAINMASTER Favorit and the savings you will make for your pocket and the planet!